



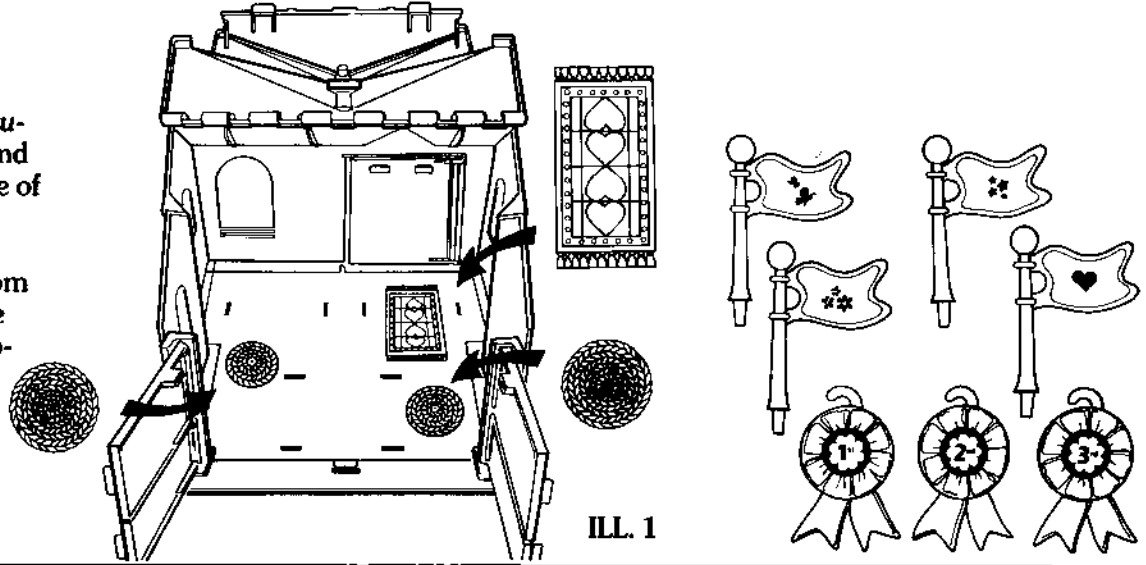
My Little Pony Show Stable



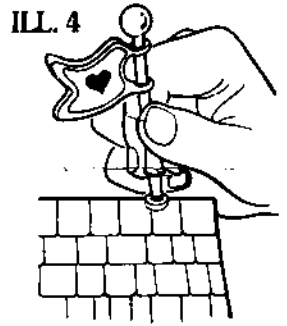
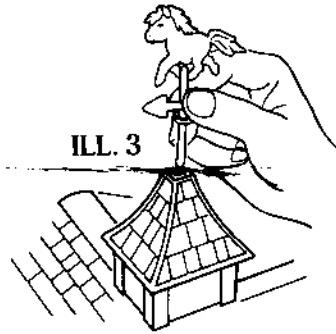
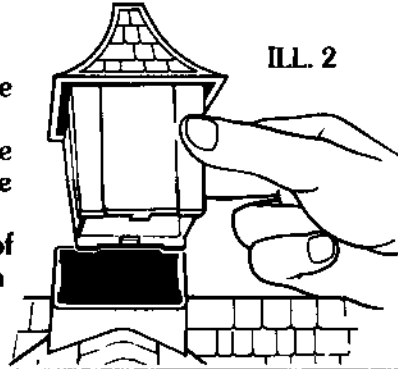
INSTRUCTIONS

1. To lift the stable roof, you must first open the front double doors. Now lift the roof up, and remove all the pieces from inside of the stable.

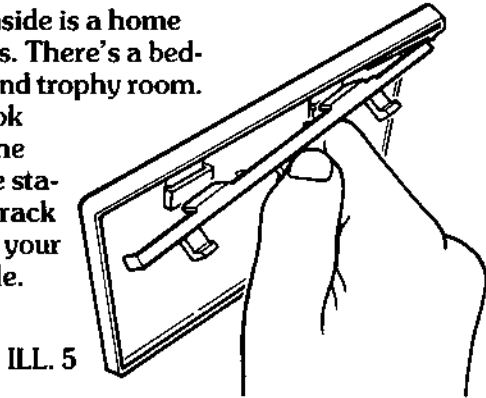
2. Carefully peel the labels from label sheet and apply to the stable floor, flags, and award ribbons, as shown. (ILL. 1)



3. Close the roof. Position the cupola, with its two tabs facing the front and back of the stable, above the square in the roof. Press it down until it snaps into place. (ILL. 2) Fit the pony weather vane into the hole at the top of the tower. Press down until it snaps into place. (ILL. 3) Push three of the flags firmly into the three holes in the roof. (ILL. 4)



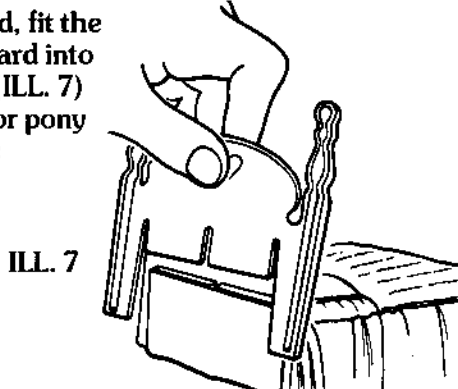
4. Open the roof. Inside is a home for all your ponies. There's a bedroom, pony kitchen, and trophy room. Fit the tabs on the hook rack into the slots in the door in the back of the stable. (ILL. 5) The hook rack is a fine place to hang your award ribbons or bridle.



5. Place a shelf over the window in the trophy room. The shelves support your trophy cups. (ILL. 6) The two troughs can be placed over the other windows so that they are either in or out of the stable. You can pretend to feed your ponies from the troughs or use them as window boxes. You can also position the shelves or troughs on the bottom double doors so that they're facing outside of the stable.



6. To assemble the bed, fit the tabs on the headboard into the two slots in the bed. (ILL. 7) The bed and blanket -- for pony naps -- fit nicely into the bedroom.



7. You can also take the bed out and place four fence sections in the stable. The tabs on the bottom of the fences fit into the slots in the stable floor. This creates stalls for your ponies. (ILL. 8)

