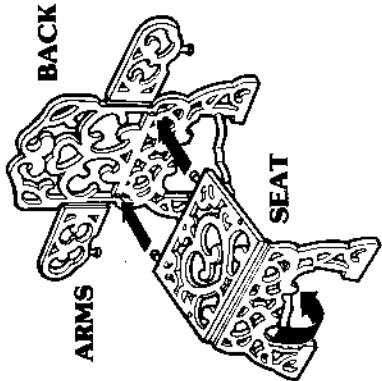


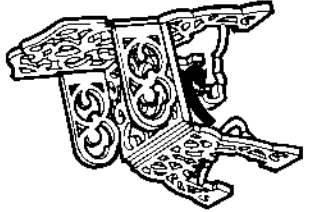
27. Fold down legs of patio chair. Attach seat to back of chair by fitting tabs into place as shown. (ILL. 33) Insert tabs on seat into holes in chair's back. Fold arms toward seat and fit arm tabs into holes in seat. (ILL. 34) Connect bars between chair legs by hooking loops together. (ILL. 35) Repeat with other chair.



ILL. 33

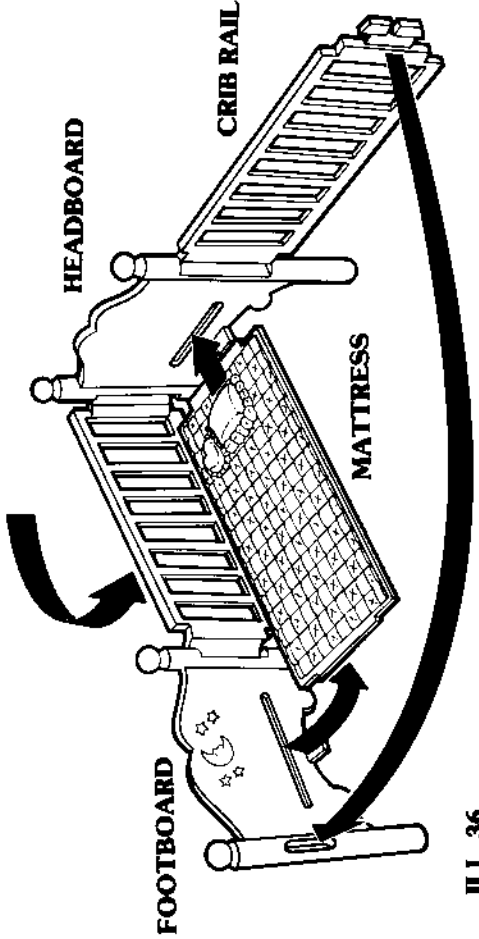


ILL. 34



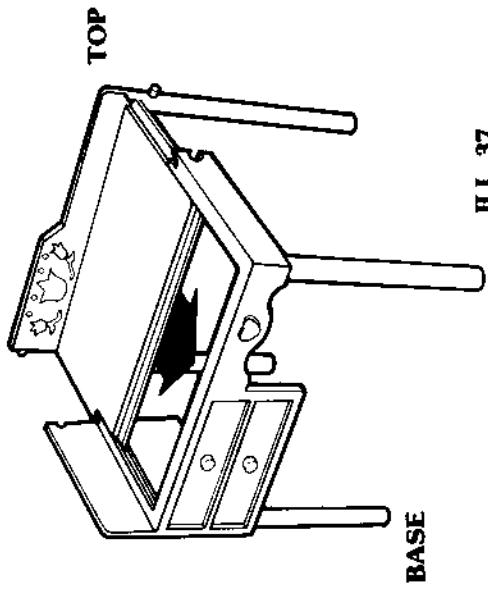
ILL. 35

28. To assemble crib, snap mattress into headboard groove. Bring crib rails up to meet sides of mattress. Fold footboard around the ends to form crib. Secure with fastener and snap it closed. (ILL. 36)



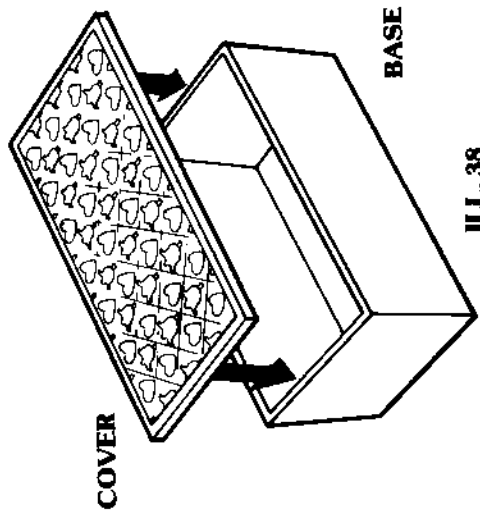
ILL. 36

29. Slide top of changing table over base and snap into place. (ILL. 37)



ILL. 37

30. Place cover of toy box over base. (ILL. 38)



ILL. 38

31. Peel and apply labels to furniture as shown. Arrange furniture in the house as shown on the box, or any way you prefer.

