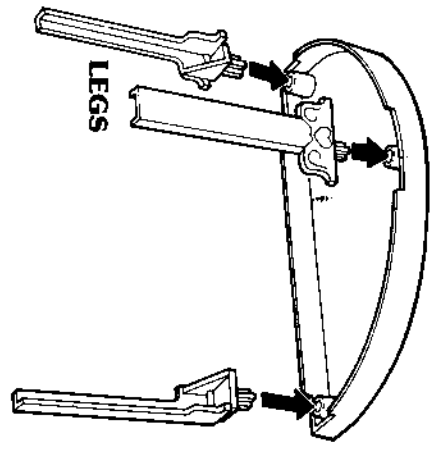




ILL. 27

23. Remove the 3 legs of the breakfast counter from runner frame. Place legs into holes in table. (ILL. 29)

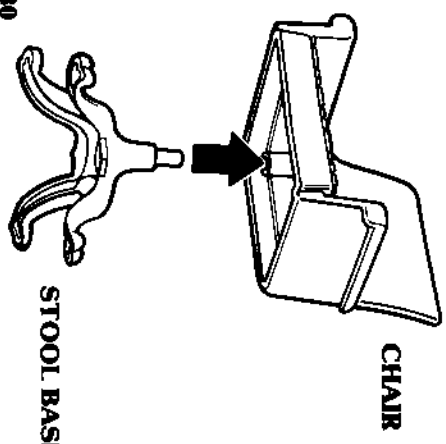


ILL. 29



ILL. 28

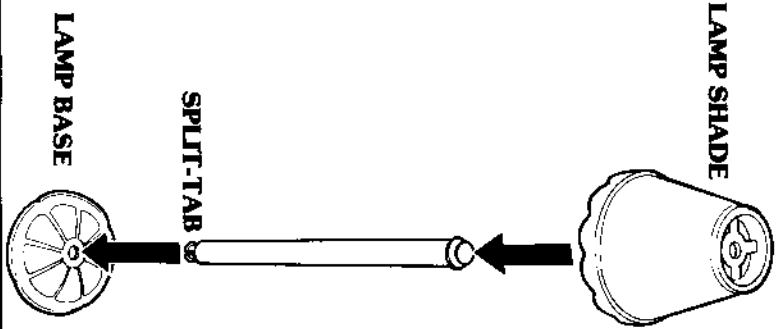
24. Place stool base into hole under chair. (ILL. 30) Repeat with other stool.



ILL. 30

25. Remove both lamp bases from runner frame. Insert split-tab on long lamp pole into hole in large lamp base. (ILL. 31a) Repeat with shorter lamp pole and smaller base. (ILL. 31b) Place lamp shades atop of assembled bases and snap into place.

LAMP SHADE



ILL. 31a



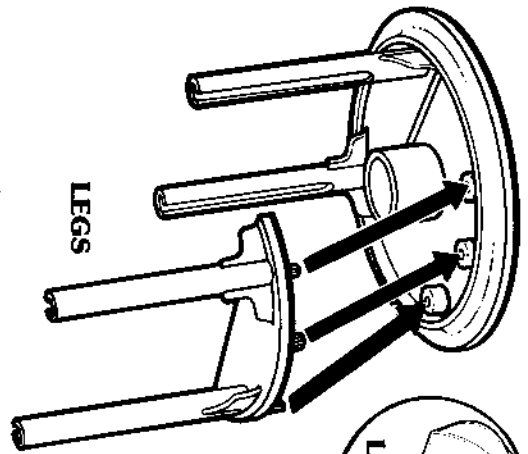
ILL. 31b



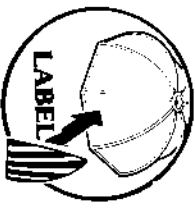
To assemble patio furniture:

26. Insert table legs into holes under table top. Insert wide, circular tab into hole in table top. Apply larger size fabric labels to umbrella as shown. Place umbrella on top of rod. Turn it until it drops into place. Top off umbrella with heart ornament. (ILL. 32)

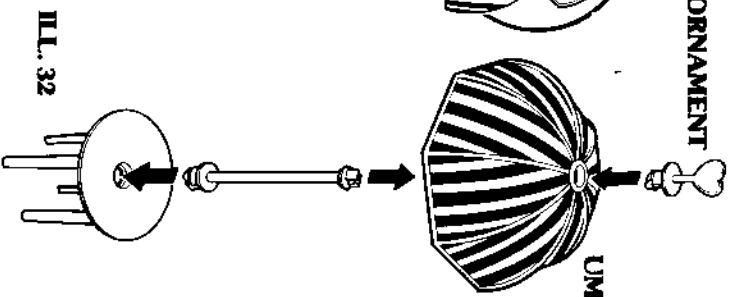
PATIO TABLE



HEART ORNAMENT



UMBRELLA



ILL. 32