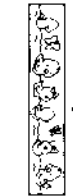
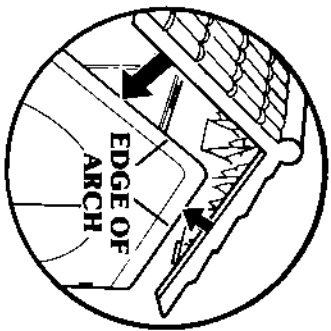


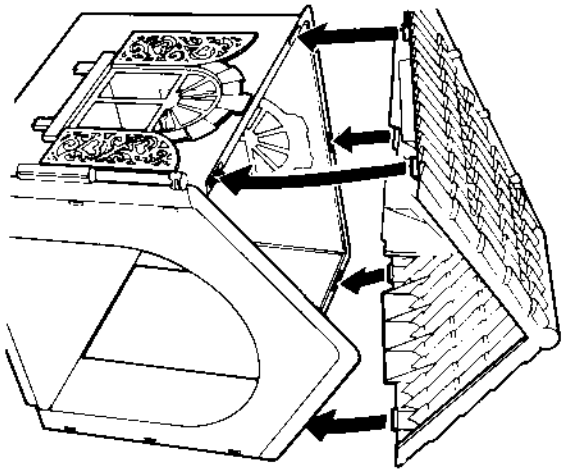
ILL. 16



13. Place roof tops over house sections. Fit edge of arch into groove in roof then snap roof tabs into wall slots. (ILL. 17)



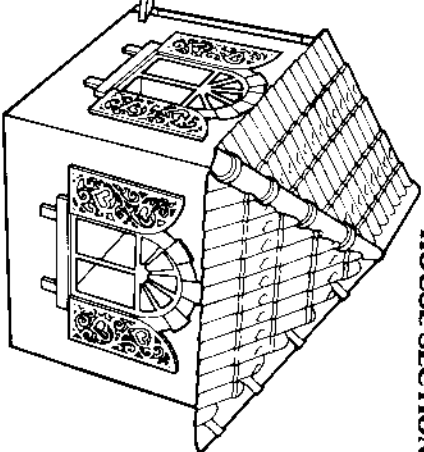
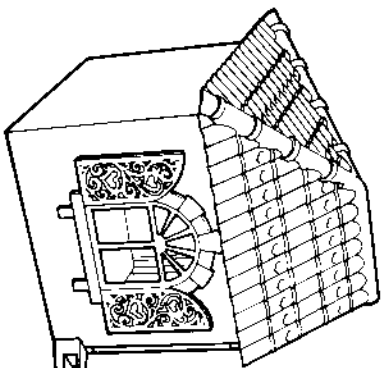
ILL. 17



14. Place house section 1 and house section 2 together to form sides of Estate as shown. Be sure that hinges are facing *outward*. Lift corners of house and fit tab into hole to join house sections together. Gently set house down into place. (ILL. 18) Rear house sections should swing open for easy access to all corners of the Estate.

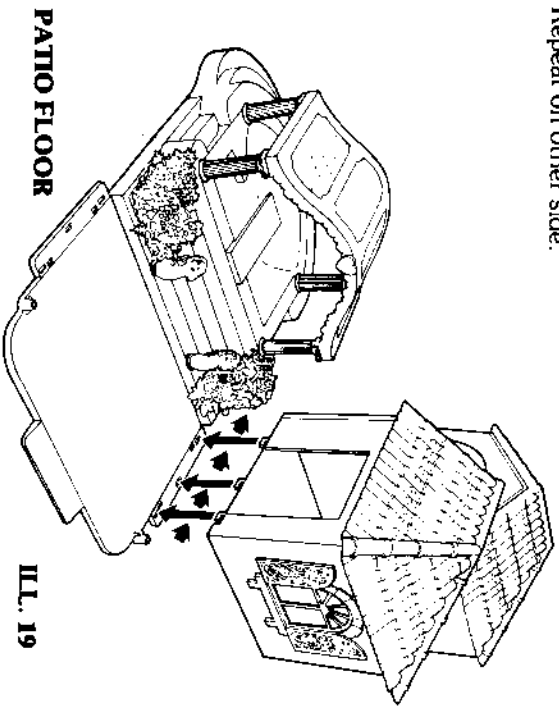
HOUSE SECTION 1

ILL. 18



HOUSE SECTION 2

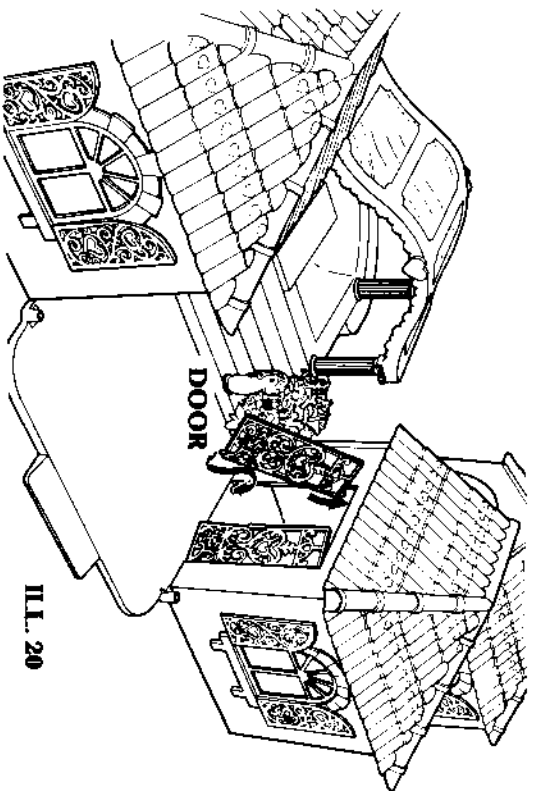
15. Slide tabs on house into slots in patio floor. Push house unit towards pool. (ILL. 19). Repeat on other side.



PATIO FLOOR

ILL. 19

16. Bend patio door slightly, with handle facing outward towards patio, and fit tabs into top and bottom of doorway. (ILL. 20) Repeat on opposite doorway.



ILL. 20