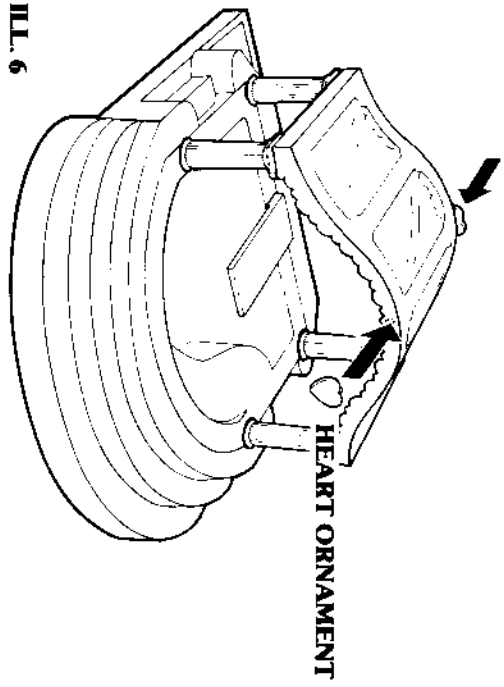
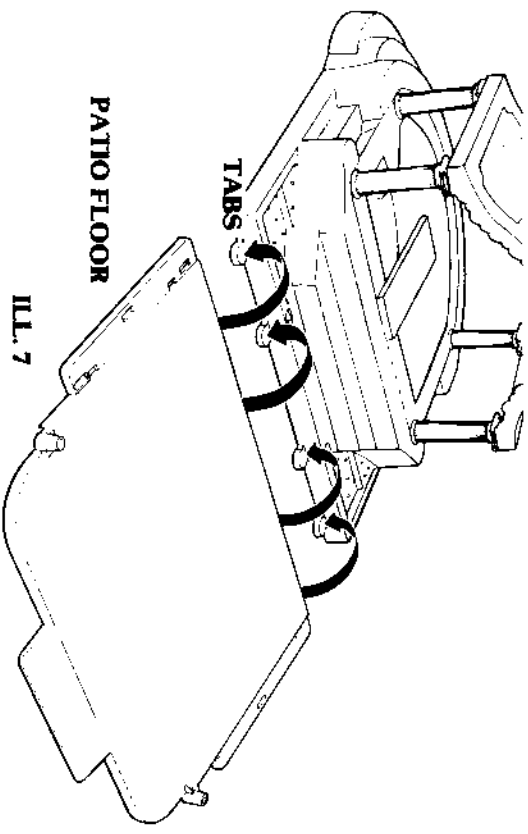




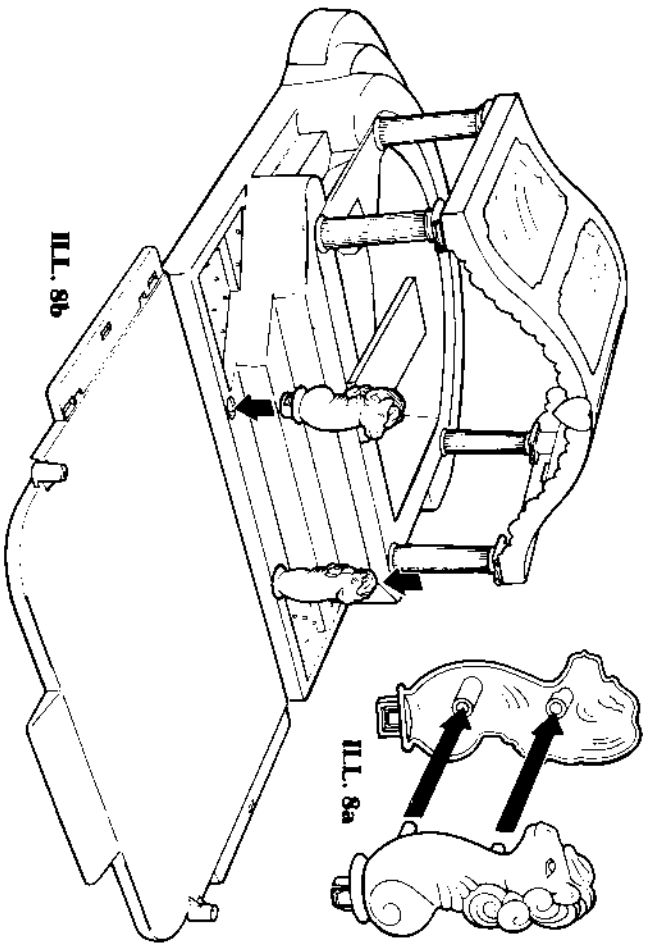
5. Attach the heart ornaments on both sides of the canopy frame by inserting tab on heart into hole in canopy. (ILL. 6)



6. Place patio floor in front of pool stairway. Lift floor over tabs extending from stairway. Press floor down and fit into place. (ILL. 7)



7. Snap halves of sea pony statues together. (ILL. 8a) Place statues along staircase and snap into place. (ILL. 8b)



8. Plant flowers in gardens located on both sides of pool stairway by inserting stems on pegs. (ILL. 9) You can arrange the colorful flowers any way you'd like.

