

# My Little Pony<sup>®</sup>

## Paradise Estate<sup>™</sup> INSTRUCTIONS

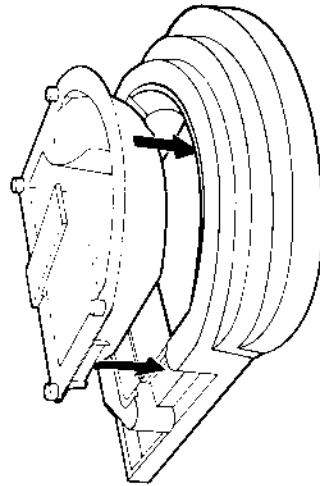
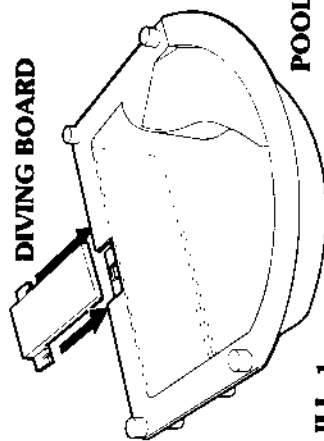
You will need a large area, such as a table top or floor area, to assemble the Paradise Estate. When complete, the Paradise Estate measures 37 1/2" wide x 32 1/2" deep X 12 1/2" high.

Remove all pieces from the nine plastic bags. If you wish, you may also twist off the pieces on the runner frames.

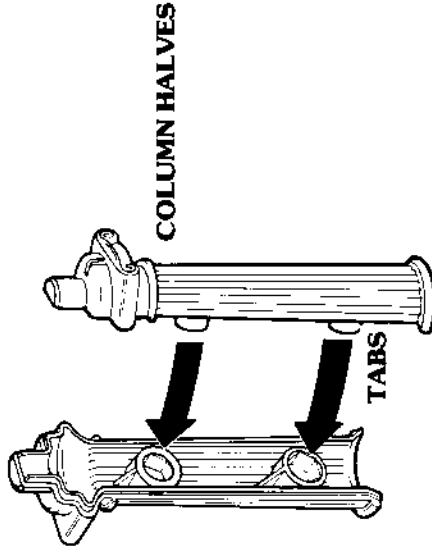
### Diving Board and Pool:

1. Slide diving board onto the edge of pool and snap into place as shown. (ILL. 1)

NOTE: It is recommended that pool be filled after all assembly of the Paradise Estate is complete. Fill a bottle or container with cool tap water and pour it into the pool, or lift pool from base and fill it under faucet before returning it to base. To discard water, carefully lift pool from base and pour water down the drain.

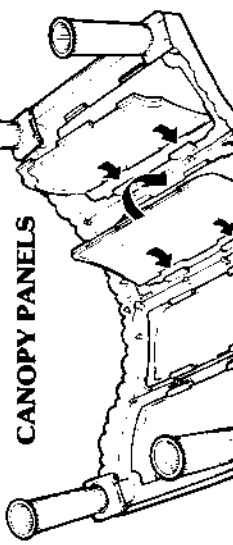
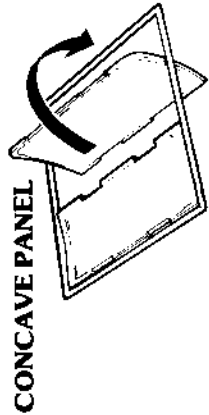


2. Snap column halves together to form 4 separate columns. Place assembled columns into the 4 holes in canopy frame from the underside. Rotate column until it snaps into place. Press to secure in place. (ILL. 2)



ILL. 2

3. Remove the two pairs (4 pieces) of canopy panels from runner frames. (There is one concave and one convex panel on each frame). (ILL. 3) Fit corresponding panels into holes in canopy frame and snap into place. (NOTE: Panels are identified with letters "A" and "B" on the corners. "A" and "B" are also marked on the underside of the canopy. With the letters facing you, snap the panels into the underside of the canopy so that the "A's" and "B's" line up).



4. Place assembled canopy onto raised cylinders around edge of pool as shown. (ILL. 5)

