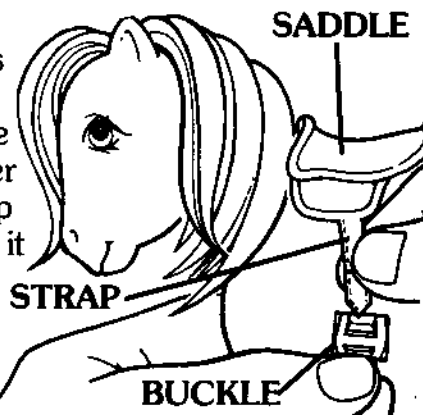
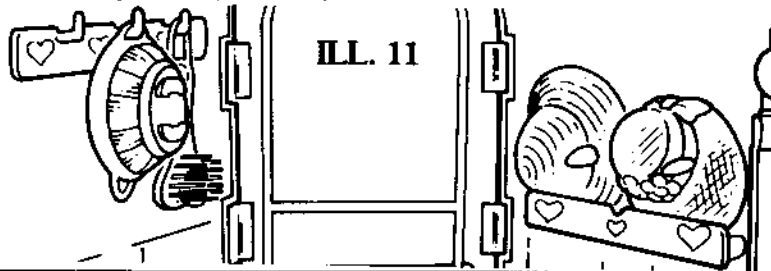


9. To put the saddle on a pony, place the saddle on the pony's back with the buckle on the pony's left. Wrap the buckle around and under the pony. Place the strap through the buckle until it fits into place. (ILL. 10)
 Note: saddle will not fit winged ponies.

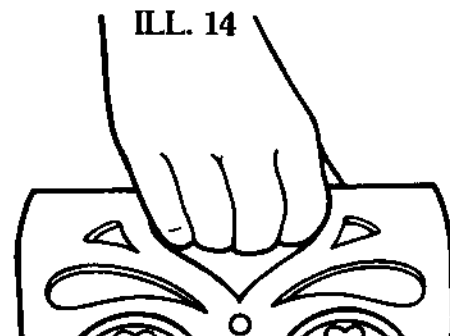
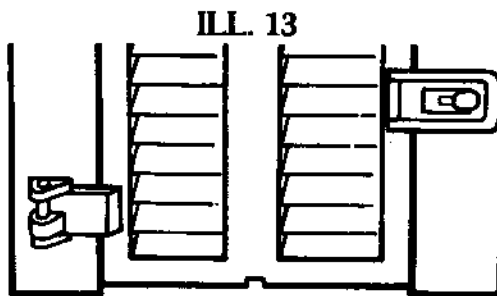
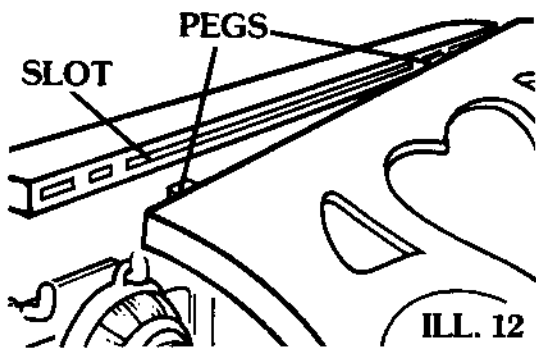


ILL. 10

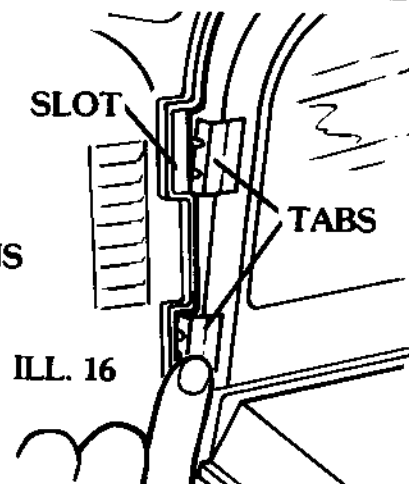
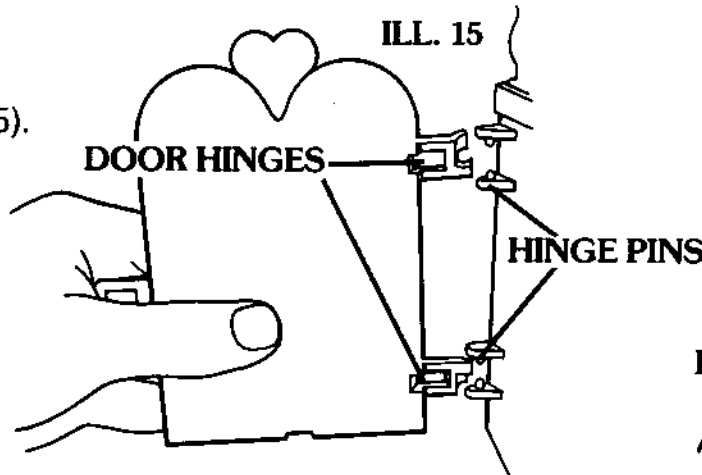
10. The hooks inside the Boutique are to hang your ribbons, bridle, reins, basket and other pony accessories. You can hang more than one accessory on a hook. Use the hat rack to hold the hats in place. (ILL. 11)



11. Carry the Boutique and accessories wherever you go! You can also fit several ponies and other accessories (not included). Close the Boutique by fitting the two pegs on one side into the long slot on the other side (ILL. 12). Close and latch the front door (ILL. 13). Carry the Boutique by the two open hearts at the top. (ILL. 14).

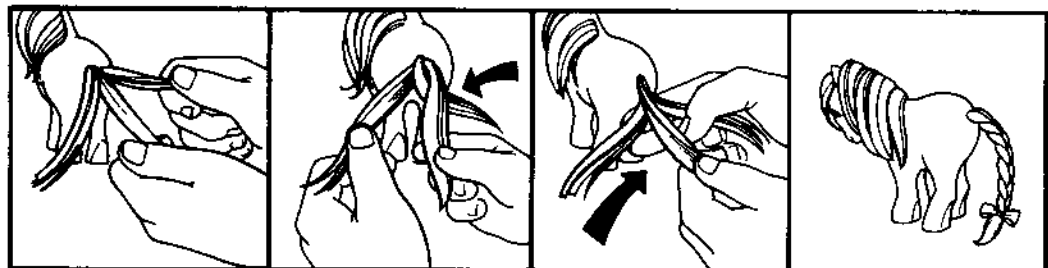


12. If the door happens to come off during play, firmly snap the door hinges into the hinge pins, as shown (ILL. 15). If a side of the Boutique comes off during play, firmly snap its tabs into the slot in the back wall of the Boutique (ILL. 16)



13. Use the comb and brush to style your ponies' hair and keep it silky and soft. Braid your ponies' hair and tie it with ribbons. (ILL. 17)

ILL. 17



1. Divide the tail into three equal sections.

2. Cross the right sections over the middle. Bring the left section into the middle.

3. Continue until you reach the end of the hair. Tie with a ribbon.

